

Self-Priming Close-Coupled Centrifugal Pumps

316 Stainless Steel, Bronze and Cast Iron Models

Description

SherTech self-priming close-coupled cast iron, bronze or 316 stainless steel pumps produce high flow rates under low head conditions. Designed for continuous low pressure circulation and transfer of non-flammable liquids, water circulation, irrigation, spraying systems, jockey pump service, aggressive liquid applications and other general-purpose pumping compatible with pump component materials where suction lift is required.

- Capacities to 130 GPM, heads to 63 ft.
- 3/4 to 2 HP AC NEMA 56J frame single & three-phase TEFC motors. Single-phase motors are equipped with thermal overload protection. Overload protection not supplied on three-phase units and must be provided in starter units. Pump control box must be ordered separately.
- Pumps self-prime to 6 feet and handle liquids with entrapped gases.
- Designed to handle specific gravities up to 1.3 on 3/4 and 1½ HP models. On 2 HP models fluids with specific gravity of 1.1 can be handled. Note that with higher specific gravity or higher vapor pressure pump suction lift is reduced.
- Clog-resistant semi-open impellers handle solids to 3/8" diameter.
- Maximum viscosity to 100 SSU.
- Maximum torque allowed is 65 in.-lbs.
- Maximum casing working pressure is 75 PSI.
- 1½" female NPT inlet and outlet ports.
- Cast Iron and Bronze units handle temperatures to 200° F; 316 stainless steel units handle temperatures to 250° F.
- Seals: Pumps are equipped with a carbon ceramic mechanical seal having 316 stainless steel components. These seals protect the motor shaft, which is 300 series stainless steel, from chemical exposure. Buna-N seals are used in cast iron and Viton seal in bronze and 316 stainless steel models. Aftermarket options listed below.

REPAIR SEALS AND OPTIONS – Standard (Viton & Buna-N) and upgraded (Teflon[®] & Silicon Carbide) seals are available. If abrasive or small particulated fluids are being pumped, upgrade to the silicon carbide mechanical seal with Viton elastomers is recommended. See repair parts list in the owner's manual for details.

PUMP HEADS AND PEDESTAL MOUNT BASE – Complete pump heads and pedestal base can be ordered. Pump head and pedestal model numbers are called out in the repair parts list in the owner's manual.

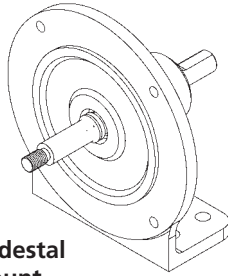


Do not use to pump flammable or explosive fluids such as gasoline, fuel oil, kerosene, etc. Do not use in flammable and/or explosive atmospheres. When pumping hazardous or dangerous materials, use only in room or area designated for that purpose. For your protection, always wear proper clothing, eye protection, etc. in case of any malfunction. For proper handling techniques and cautions, contact your chemical supplier, insurance company and local agencies (fire dept., etc.). Failure to comply with this warning could result in personal injury and/or property damage.

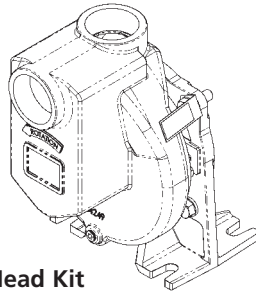
Self-Priming Close-Coupled Centrifugal Pumps

316 Stainless Steel, Bronze and Cast Iron Models

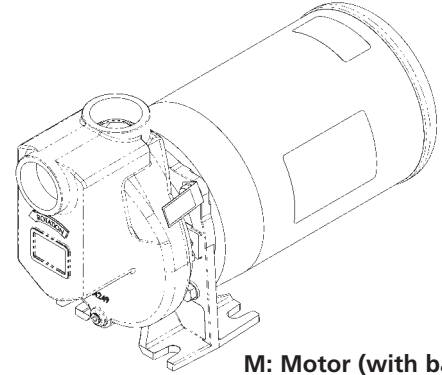
Model Ordering Codes and Options



P: Pedestal Mount



Pump Head Kit



M: Motor (with base)

Example Model: CSMSV62 (1/2 HP ODP motor with >1.15 Service Factor*)

or

CSMSV63T (3/4 HP TEFC motor with 1.0 Service Factor*)

(1) CS (2) M (3) S (4) V (5) 6 (6) 3 (7) T

1st	2nd	3rd	4th	5th	6th	7th
Series	Mounting	Material	Seal** (Mech)	Impeller Sz. (NPT Ports)	Motor-Mounted Only	
					HP	AC Type
CS: Centrifugal Self Prime and Semi-open Impeller	M: Motor (with cast pump frame base mount) P: Pedestal	S: 316 SS Body and Impeller B: Bronze Body and 316 SS Impeller C: Cast Iron Body and Impeller	B: Buna-N (Stainless Steel Case) C: Viton (Stainless Steel Case) (Silicon Carbide Seal and Seat Faces) V: Viton (Stainless Steel Case) T: Teflon (Stainless Steel Case)	6 (1½" - 1½") 7 (1½" - 1½") 8 (1½" - 1½") <i>To identify your impeller size, see chart in owner's manual.</i>	1: 1/3 2: 1/2 3: 3/4 4: 1 5: 1½ 6: 2 7: 3 X: 56J Frame Motor "wet-end kit"	Blank: no code single phase ODP motor 3: 3 phase ODP motor T: 1 phase TEFC 3T: 3 phase TEFC
					Example: CSMSV6X	

NOTE: Not all order code combinations (configurations) are standard models available from the manufacturer. Custom model configurations may require ordering standard components and/or optional parts that will need to be assembled by the customer.

Manufacturer reserves the right to change model order codes, standard models, specifications, and performance without notification.

(*) ODP motors have > 1.15 service factors. Due to service factor, it is recommended TEFC motors are oversized by one HP increment.

Pedestal Pumps are not supplied with a motor.

(**) Unless otherwise noted, seal faces are carbon on ceramic.

Self-Priming Close-Coupled Centrifugal Pumps

316 Stainless Steel, Bronze and Cast Iron Models

Performance – Standard Models (Water at 70°)

316 Stainless Steel Models	Bronze Models	Cast Iron Models	3450 RPM Pump Driven Speed							Max. Head*	Max. Spec. Gravity
			GPM of Water at Total Head in Feet*								
			0	10	20	30	40	50	60		
CSMSV6X	CSMSV6X	CSMSV6X	69	61	52	42	24	4	–	52	1.3
CSMSV63T	CSMBV63T	CSMCB63T	69	61	52	42	24	4	–	52	1.3
CSMSV633T	CSMBV633T	CSMCB633T	69	61	52	42	24	4	–	52	1.3
CSMSV7X	CSMSV7X	CSMSV7X	100	91	79	66	48	7	–	52	1.3
CSMSV75T	CSMBV75T	CSMCB75T	100	91	79	66	48	7	–	52	1.3
CSMSV753T	CSMBV753T	CSMCB753T	100	91	79	66	48	7	–	52	1.3
CSMSV8X	CSMBV8X	CSMCB8X	130	123	113	99	82	61	26	63	1.1
CSMSV863T	CSMBV863T	CSMCB863T	130	123	113	99	82	61	26	63	1.1

(* Test data is taken with water at 70°F for pumps with 60 Hz motors at 3450 RPM motors (to convert data to PSI, divide feet of head by 2.31).

Pump performance when pump is new. As pump wears, the performance will decrease.

NOTES: Max. Viscosity = 100 SSU Max. Specific Gravity = 1.1-1.3

Max. Torque = 65 in.-lbs. Max. suction lift to 6 ft.

Manufacturer reserves the right to change performance without notification.

To Order Optional Motors: For custom applications or configurations, select a pump head from above and a 56J Frame motor or pedestal mount from the motor section of this catalog.

Price List and Specifications – Standard Models

List Price	Model Number	HP	AC Motor Frame	NEMA Voltage	DRIVER Full Load Amps	Service Factor	Amps	Hz	Phase	Overload Protection	RPM	Port Motor Shaft	PUMP CONSTRUCTION (Wet End)					Ship Wt. (lbs.)
													Size FNPT	Housing	Impeller	Adapter	Seals*	
316 Stainless Steel Models																		
\$	CSMSV6X	3/4	-	56J	Pump Heads only - No motor		-	-	-	-	-	NA	1½ x 1½	316 SS	316 SS	316 SS	Viton	45
\$	CSMSV63T	3/4	TEFC	56J	115/208-230	9.80/5.40-4.90	10.60/5.30	60	1	Yes	3450	303 SS	1½ x 1½	316 SS	316 SS	316 SS	Viton	45
\$	CSMSV633T	3/4	TEFC	56J	208-230/460	2.50-2.30/1.15	2.60/1.30	60	3	No	3450	303 SS	1½ x 1½	316 SS	316 SS	316 SS	Viton	40
\$					190/380	2.70/1.35	**	50	3	No	2830							
\$	CSMSV7X	1½	-	56J	Pump Heads only - No motor		-	-	-	-	-	NA	1½ x 1½	316 SS	316 SS	316 SS	Viton	55
\$	CSMSV75T	1½	TEFC	56J	115/208-230	16.60/9.00-8.30	18.94/9.47	60	1	Yes	3450	303 SS	1½ x 1½	316 SS	316 SS	316 SS	Viton	55
\$	CSMSV753T	1½	TEFC	56J	208-230/460	4.63-4.20/2.10	4.70/2.35	60	3	No	3450	303 SS	1½ x 1½	316 SS	316 SS	316 SS	Viton	48
\$					190/380	4.90/2.45	**	50	3	No	2830							
\$	CSMSV8X	2	-	56J	Pump Heads only - No motor		-	-	-	-	-	NA	1½ x 1½	316 SS	316 SS	316 SS	Viton	50
\$	CSMSV863T	2	TEFC	56J	208-230/460	5.92-5.36/2.68	6.00/3.00	60	3	No	3450	303 SS	1½ x 1½	316 SS	316 SS	316 SS	Viton	50
\$					190/380	6.30/3.15	**	50	3	No	2830	303 SS						
Bronze Models																		
\$	CSMBV6X	3/4	-	56J	Pump Heads only - No motor		-	-	-	-	-	NA	1½ x 1½	BR	316 SS	BR	Viton	45
\$	CSMBV63T	3/4	TEFC	56J	115/208-230	9.80/5.40-4.90	10.60/5.30	60	1	Yes	3450	303 SS	1½ x 1½	BR	316 SS	BR	Viton	45
\$	CSMBV633T	3/4	TEFC	56J	208-230/460	2.50-2.30/1.15	2.60/1.30	60	3	No	3450	303 SS	1½ x 1½	BR	316 SS	BR	Viton	40
\$					190/380	2.70/1.35	**	50	3	No	2830							
\$	CSMBV7X	1½	-	56J	Pump Heads only - No motor		-	-	-	-	-	NA	1½ x 1½	BR	316 SS	BR	Viton	55
\$	CSMBV75T	1½	TEFC	56J	115/208-230	16.60/9.00-8.30	18.94/9.47	60	1	Yes	3450	303 SS	1½ x 1½	BR	316 SS	BR	Viton	55
\$	CSMBV753T	1½	TEFC	56J	208-230/460	4.63-4.20/2.10	4.70/2.35	60	3	No	3450	303 SS	1½ x 1½	BR	316 SS	BR	Viton	48
\$					190/380	4.90/2.45	**	50	3	No	2830							
\$	CSMBV8X	2	-	56J	Pump Heads only - No motor		-	-	-	-	-	NA	1½ x 1½	BR	316 SS	BR	Viton	50
\$	CSMBV863T	2	TEFC	56J	208-230/460	5.92-5.36/2.68	6.00/3.00	60	3	No	3450	303 SS	1½ x 1½	BR	316 SS	BR	Viton	50
\$					190/380	6.30/3.15	**	50	3	No	2830	303 SS						
Cast Iron Models																		
\$	CSMCB6X	3/4	-	56J	Pump Heads only - No motor		-	-	-	-	-	NA	1½ x 1½	CI	CI	CI	Buna-N	45
\$	CSMCB63T	3/4	TEFC	56J	115/208-230	9.80/5.40-4.90	10.60/5.30	60	1	Yes	3450	303 SS	1½ x 1½	CI	CI	CI	Buna-N	45
\$	CSMCB633T	3/4	TEFC	56J	208-230/460	2.50-2.30/1.15	2.60/1.30	60	3	No	3450	303 SS	1½ x 1½	CI	CI	CI	Buna-N	40
\$					190/380	2.70/1.35	**	50	3	No	2830							
\$	CSMCB7X	1½	-	56J	Pump Heads only - No motor		-	-	-	-	-	NA	1½ x 1½	CI	CI	CI	Buna-N	55
\$	CSMCB75T	1½	TEFC	56J	115/208-230	16.60/9.00-8.30	18.94/9.47	60	1	Yes	3450	303 SS	1½ x 1½	CI	CI	CI	Buna-N	55
\$	CSMCB753T	1½	TEFC	56J	208-230/460	4.63-4.20/2.10	4.70/2.35	60	3	No	3450	303 SS	1½ x 1½	CI	CI	CI	Buna-N	48
\$					190/380	4.90/2.45	**	50	3	No	2830							
\$	CSMCB8X	2	-	56J	Pump Heads only - No motor		-	-	-	-	-	NA	1½ x 1½	CI	CI	CI	Buna-N	50
\$	CSMCB863T	2	TEFC	56J	208-230/460	5.92-5.36/2.68	6.00/3.00	60	3	No	3450	303 SS	1½ x 1½	CI	CI	CI	Buna-N	50
\$					190/380	6.30/3.15	**	50	3	No	2830	303 SS						

SS = Stainless Steel BR = Bronze CI = Cast Iron ODP = Open Drip Proof TEFC = Totally Enclosed Fan Cooled

(* Shaft Seals also contain 316 stainless steel, ceramic, and carbon components.

(**) At 208 volts or 50 hertz, the Service Factor Amps are the same as the Full Load Amps.

NOTES: Driver data is subject to change without notice, see label on driver for actual specifications. All motors include a base (the base may be removable, movable or welded). Motors are not supplied with power cords. Manufacturer reserves the right to change specifications without notification. Standard motors listed above are not wash-down or explosion-proof (manufacturer does not stock wash-down or explosion-proof motors). Thermal overload protection is standard on all single-phase motors (overload protector may have automatic or manual reset); three-phase motors are not provided with thermal overload protection. Manufacturer does not specify regulatory compliance for UL, UR, CSA or CE; however most models do comply to UL, UR, CSA and CE.

Source: Owner's Manual L-4068 (11/07)